

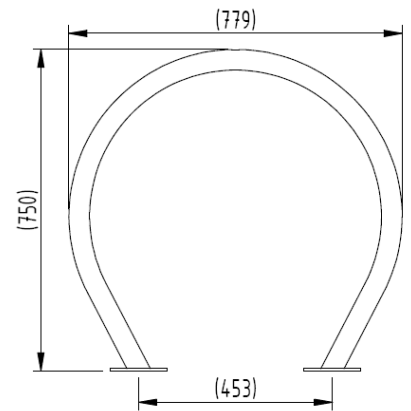


Catthorpe Cycle Stand Galvanised, Galvanised & Colour or Stainless



The VELOPA Catthorpe Cycle Stand is a shaped tubular cycle stand. The design allows the frame of the bicycle to be secured by the users own security lock. The Catthorpe Stand is suitable for securing two bicycles. Available in galvanised steel, galvanised and coated and grade 304 stainless steel, with ragged feet for casting into new concrete or flanged feet for bolting to an existing surface.

The practical and durable nature of the VELOPA Catthorpe Cycle Stand stand ensures that the stand will complement any environment and offers an aesthetically pleasing alternative to the Sheffield Cycle Stand.



<u>Part Number</u>	<u>Description</u>	<u>Weight (kg)</u>
138 515	Galvanised - Concrete In	
138 515	Galvanised - Bolt Down	
138 515	Galvanised & Black - Concrete In	
138 515	Galvanised & Black - Bolt Down	
138 515	Galvanised & Colour - Concrete In	
138 515	Galvanised & Colour - Bolt Down	
138 515	Stainless Steel - Concrete In	
138 515	Stainless Steel - Bolt Down	

Product details

- 48mm diameter tube
- 750mm x 779mm (height x length)
- Concrete in 300mm (below ground)
- Round flange plate – 133mm x 5mm
- Each stand requires 6 bolts (bolt down)

Installation & use

Bolt down to a suitable concrete surface.
Telescopic, removable and concrete in are supplied with welded fixing spikes to ensure firm ground anchorage into concrete.
Telescopic, removable and concrete in require a suitable excavated hole for installing into concrete.
Products are guaranteed for 12 months (if installed and used correctly).



www.autopa.co.uk
+44 (0)1788 550556

AUTOPA Limited
Cottage Leap, Rugby, Warwickshire CV21 3XP

