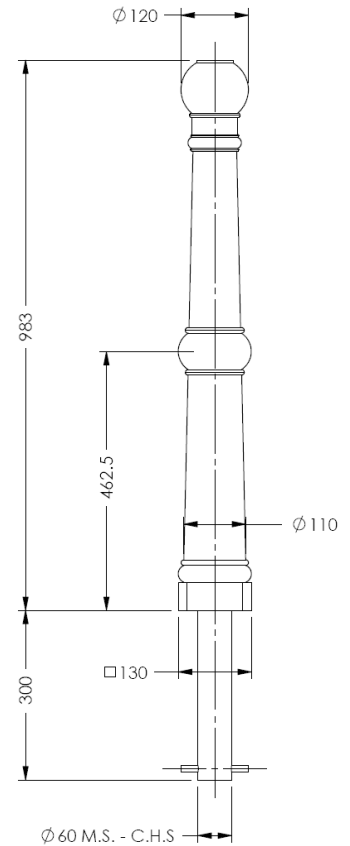




Exeter 980mm Polyurethane



The AUTOPA Exeter Polyurethane Bollard has a traditional design and offers site owners a robust vehicle access control solution. Corrosion and shatter proof, this bollard is cast in an engineering grade, heavy duty polymer around a steel core and is ideal for use around parking areas, pavements and pedestrianisation schemes.

Available concrete in and black only, polyurethane bollards are a highly durable like for like replacement for traditional cast iron bollards.

<u>Part Number</u>	<u>Description</u>	<u>Weight (kg)</u>
138 124 020	Exeter	14kg

Product details

- Available concrete in only
- Concrete in 300mm (below ground)
- 130mm maximum diameter
- 60mm core diameter

Installation & use

Bolt down to a suitable concrete surface.
Telescopic, removable and concrete in are supplied with welded fixing spikes to ensure firm ground anchorage into concrete.
Telescopic, removable and concrete in require a suitable excavated hole for installing into concrete.
Products are guaranteed for 12 months (if installed and used correctly).



www.autopa.co.uk
+44 (0)1788 550556

AUTOPA Limited
Cottage Leap, Rugby, Warwickshire CV21 3XP

