

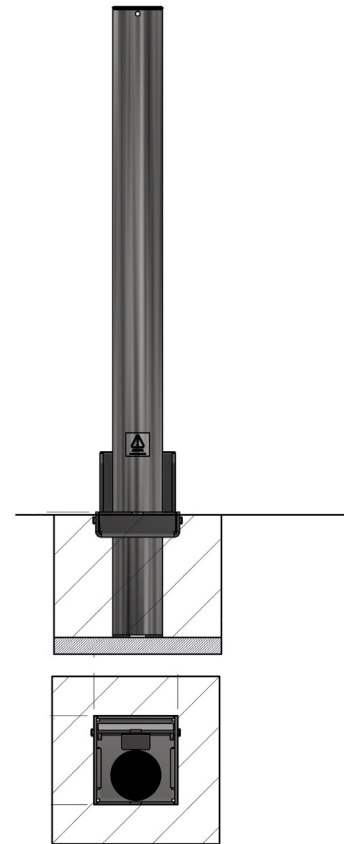


Removable Post 750mm Above Ground 60mm - 90mm Diameter Galvanised or Galvanised & Colour



The Removable Post offers an effective, simple and robust way to protect premises and vehicles. Removable Bollards are particularly suitable for locations where occasional access is required, the simple tab and padlock system provides an easy to operate solution for locking the bollard in place. The Removable Bollard is 750mm above ground and is available in a range of outside tube diameter size 60mm, 76mm and 90mm. Padlock to secure is available at an extra cost.

The Removable Post 750 is ideal for protecting vehicle forecourts, commercial premises, car parks and domestic driveways and can be used in conjunction with fixed bollards as part of a security system for all types of premises.



| Part Number | Description | Lift Weight (kg) | Weight (kg) |
|--------------|--------------------------------------|------------------|-------------|
| 138 100 221 | 60mm Galvanised - Removable | 4kg | 8kg |
| 138 100 222B | 60mm Galvanised & Black - Removable | 4kg | 8kg |
| 138 100 222Y | 60mm Galvanised & Yellow - Removable | 4kg | 8kg |
| 138 100 222 | 60mm Galvanised & Colour - Removable | 4kg | 8kg |
| 138 100 641 | 76mm Galvanised - Removable | 5kg | 9kg |
| 138 100 642B | 76mm Galvanised & Black - Removable | 5kg | 9kg |
| 138 100 642Y | 76mm Galvanised & Yellow - Removable | 5kg | 9kg |
| 138 100 642 | 76mm Galvanised & Colour - Removable | 5kg | 9kg |
| 138 100 361 | 90mm Galvanised - Removable | 6kg | 10kg |
| 138 100 362B | 90mm Galvanised & Black - Removable | 6kg | 10kg |
| 138 100 362Y | 90mm Galvanised & Yellow - Removable | 6kg | 10kg |
| 138 100 362 | 90mm Galvanised & Colour - Removable | 6kg | 10kg |

Product details

- 750mm (Height above ground)
- 3mm Wall thickness
- Black plastic cap
- Socket - 220mm (below ground)
- Price excludes padlock to secure

Installation & use

Bolt down to a suitable concrete surface.
Telescopic, removable and concrete in are supplied with welded fixing spikes to ensure firm ground anchorage into concrete.
Telescopic, removable and concrete in require a suitable excavated hole for installing into concrete.
Products are guaranteed for 12 months (if installed and used correctly).



www.autopa.co.uk
+44 (0)1788 550556

AUTOPA Limited
Cottage Leap, Rugby, Warwickshire CV21 3XP

