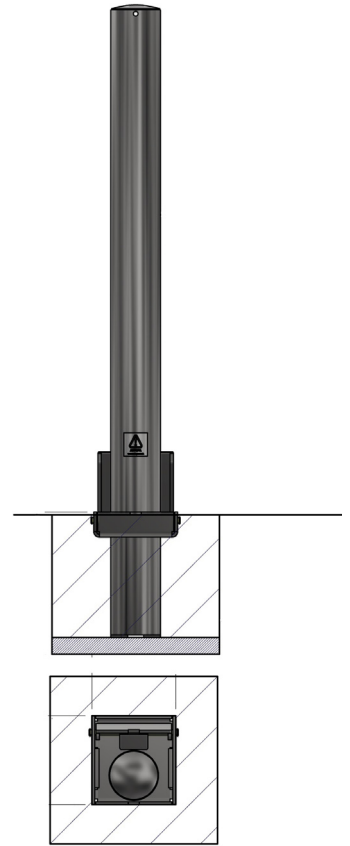
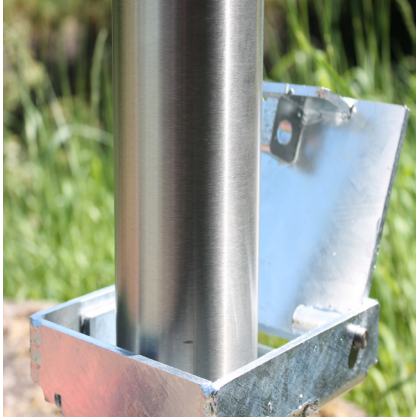




AUTOPA

Removable Bollard 750mm Above Ground 90mm - 154mm Diameter Stainless Steel



The Removable Bollard offers an effective, simple and robust way to protect premises and vehicles. Removable Bollards are particularly suitable for locations where occasional access is required, the simple tab and padlock system provides an easy to operate solution for locking the bollard in place. The Stainless Steel Removable Bollard is 750mm above ground and is available in a range of outside tube diameter sizes from 90mm through to 154mm. Padlock to secure is available at an extra cost.

The Removable Bollard 750 is ideal for protecting vehicle forecourts, commercial premises, car parks and domestic driveways and can be used in conjunction with fixed bollards as part of a security system for all types of premises.

<u>Part Number</u>	<u>Description</u>	<u>Lift Weight (kg)</u>	<u>Weight (kg)</u>
138 000 124	90mm Stainless Steel - Removable	4kg	8kg
138 000 134	101mm Stainless Steel - Removable	5kg	13kg
138 000 136	114mm Stainless Steel - Removable	5kg	13kg
138 000 151	154mm Stainless Steel - Removable	7kg	20kg

Product details

- 750mm (Height above ground)
- 2mm wall thickness
- Socket - 220mm (below ground) - 90mm diameter
- Socket - 300mm (below ground) - 101mm - 154mm diameter
- Price excludes padlock to secure

Installation & use

Bolt down to a suitable concrete surface.
 Telescopic, removable and concrete in are supplied with welded fixing spikes to ensure firm ground anchorage into concrete.
 Telescopic, removable and concrete in require a suitable excavated hole for installing into concrete.
 Products are guaranteed for 12 months (if installed and used correctly).



www.autopa.co.uk
 +44 (0)1788 550556

AUTOPA Limited
 Cottage Leap, Rugby, Warwickshire CV21 3XP

