



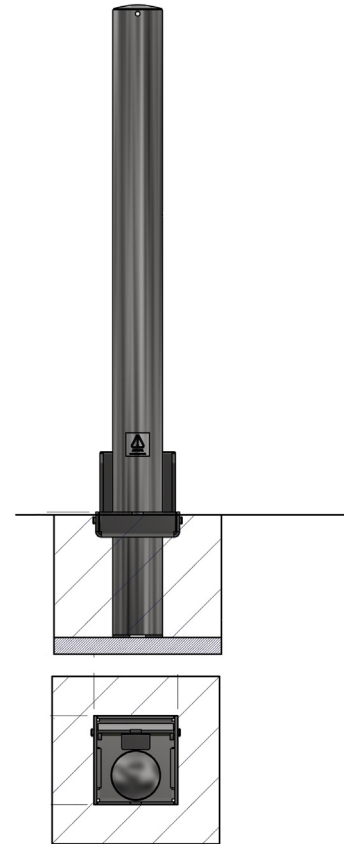
AUTOPA

Removable Bollard 1000mm Above Ground 60mm - 204mm Diameter Stainless Steel



The Removable Bollard offers an effective, simple and robust way to protect premises and vehicles. Removable Bollards are particularly suitable for locations where occasional access is required, the simple tab and padlock system provides an easy to operate solution for locking the bollard in place. The Removable Bollard is 1,000mm above ground and is available in a range of outside tube diameter sizes from 60mm through to 204mm. Padlock to secure is available at an extra cost.

The Removable Bollard 1000 is ideal for protecting vehicle forecourts, commercial premises, car parks and domestic driveways and can be used in conjunction with fixed bollards as part of a security system for all types of premises.



| <u>Part Number</u> | <u>Description</u> | <u>Lift Weight (kg)</u> | <u>Weight (kg)</u> |
|--------------------|-----------------------------------|-------------------------|--------------------|
| 138 125 063 | 60mm Stainless Steel - Removable | 4kg | 8kg |
| 138 125 078 | 76mm Stainless Steel - Removable | 5kg | 9kg |
| 138 125 088 | 90mm Stainless Steel - Removable | 6kg | 10kg |
| 138 125 102 | 101mm Stainless Steel - Removable | 7kg | 15kg |
| 138 125 115 | 114mm Stainless Steel - Removable | 8kg | 16kg |
| 138 125 131 | 129mm Stainless Steel - Removable | 9kg | 17kg |
| 138 125 138 | 139mm Stainless Steel - Removable | 9kg | 17kg |
| 138 125 170 | 154mm Stainless Steel - Removable | 10kg | 23kg |
| 138 125 171 | 168mm Stainless Steel - Removable | 11kg | 24kg |
| 138 125 208 | 204mm Stainless Steel - Removable | 14kg | 27kg |

Product details

- 1000mm (Height above ground)
- 2mm wall thickness
- Socket - 220mm (below ground) - 60mm - 90mm diameter
- Socket - 300mm (below ground) - 101mm - 204mm diameter
- Price excludes padlock to secure

Installation & use

Bolt down to a suitable concrete surface.

Telescopic, removable and concrete in are supplied with welded fixing spikes to ensure firm ground anchorage into concrete.

Telescopic, removable and concrete in require a suitable excavated hole for installing into concrete.

Products are guaranteed for 12 months (if installed and used correctly).



www.autopa.co.uk
+44 (0)1788 550556

AUTOPA Limited
Cottage Leap, Rugby, Warwickshire CV21 3XP

