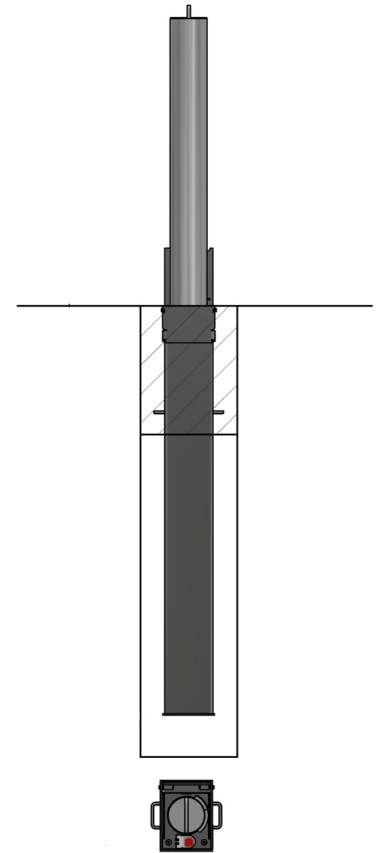
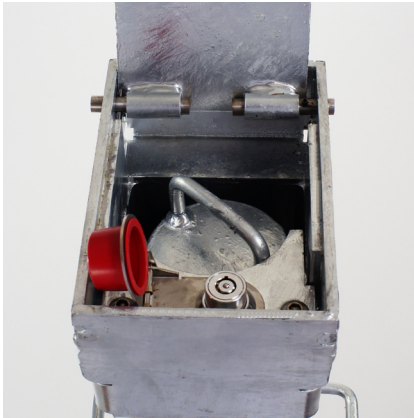




RetractaPost-GL 745

745mm

Galvanised or Galvanised & Colour



The RetractaPost-GL offers a highly effective and robust way to protect premises and vehicles. The RetractaPost-GL is raised and lowered vertically. When raised the post is 745mm above ground, when lowered the post is fully below ground and covered using the integral lid. The post is lockable in the raised position by rotating the post 45° and then pressing the high-security push button 7-pin security lock. The post is unlocked using the supplied key, rotated and then lowered.

The RetractaPost-GL is ideal for protecting vehicle forecourts, commercial premises, car parks and domestic driveways.

Tested and approved by Sold Secure.

This product has achieved Secure by Design status.

Part Number	Description	Lift Weight (kg)	Weight (kg)
138 130 380	76mm Galvanised	6kg	19kg
138 130 385B	76mm Galvanised & Black	6kg	19kg
138 130 385Y	76mm Galvanised & Yellow	6kg	19kg
138 130 420	90mm Galvanised	7kg	25kg
138 130 422B	90mm Galvanised & Black	7kg	25kg
138 130 422Y	90mm Galvanised & Yellow	7kg	25kg
138 130 430	101mm Galvanised	8kg	28kg
138 130 432B	101mm Galvanised & Black	8kg	28kg
138 130 432Y	101mm Galvanised & Yellow	8kg	28kg
138 130 445	114mm Galvanised	10kg	30kg
138 130 446B	114mm Galvanised & Black	10kg	30kg
138 130 446Y	114mm Galvanised & Yellow	10kg	30kg



Secured by Design



Police Preferred Specification

Product details

- 745mm (above ground when raised)
- Socket - 1070mm (below ground)
- 3mm wall thickness
- Red/white chevron tape available extra
- Other colours available on request

Installation & use

Bolt down to a suitable concrete surface.
 Telescopic, removable and concrete in are supplied with welded fixing spikes to ensure firm ground anchorage into concrete.
 Telescopic, removable and concrete in require a suitable excavated hole for installing into concrete.
 Products are guaranteed for 12 months (if installed and used correctly).



www.autopa.co.uk
 +44 (0)1788 550556

AUTOPA Limited
 Cottage Leap, Rugby, Warwickshire CV21 3XP

