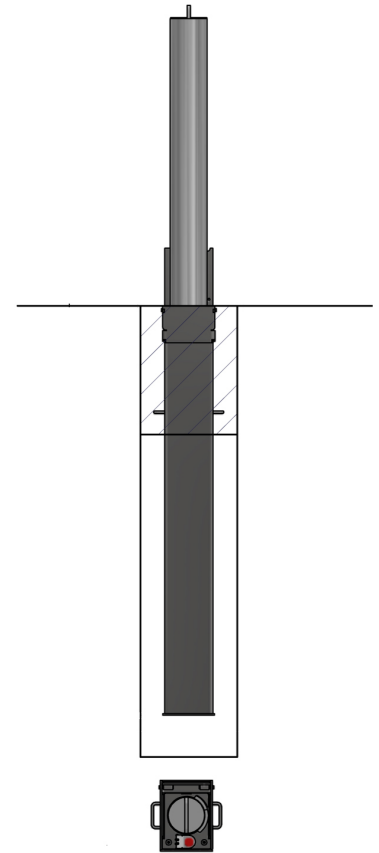
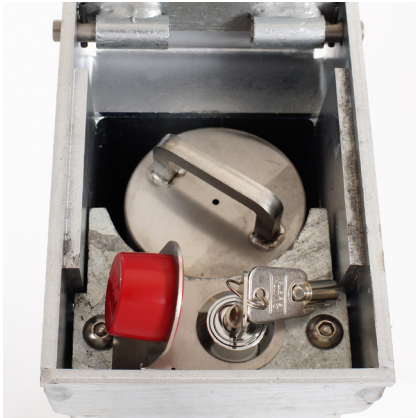




# RetractaPost-GL 745

## 745mm

## Stainless Steel



The RetractaPost-GL offers a highly effective and robust way to protect premises and vehicles. The RetractaPost-GL is raised and lowered vertically. When raised the post is 745mm above ground, when lowered the post is fully below ground and covered using the integral lid. The post is lockable in the raised position by rotating the post 45° and then pressing the high-security push button 7-pin security lock. The post is unlocked using the supplied key, rotated and then lowered.

The RetractaPost-GL is ideal for protecting vehicle forecourts, commercial premises, car parks and domestic driveways.

Tested and approved by Sold Secure.

This product has achieved Secure by Design status.

<u>Part Number</u>	<u>Description</u>	<u>Lift Weight (kg)</u>	<u>Weight (kg)</u>
138 130 389	76mm Stainless Steel	4kg	17kg
138 130 429	90mm Stainless Steel	5kg	23kg
138 130 439	101mm Stainless Steel	6kg	26kg
138 130 448	114mm Stainless Steel	7kg	27kg



### Product details

- 745mm (above ground when raised)
- Socket - 1070mm (below ground)
- 2mm wall thickness
- Red/white chevron tape available extra

### Installation & use

Bolt down to a suitable concrete surface.  
 Telescopic, removable and concrete in are supplied with welded fixing spikes to ensure firm ground anchorage into concrete.  
 Telescopic, removable and concrete in require a suitable excavated hole for installing into concrete.  
 Products are guaranteed for 12 months (if installed and used correctly).



[www.autopa.co.uk](http://www.autopa.co.uk)  
 +44 (0)1788 550556

AUTOPA Limited  
 Cottage Leap, Rugby, Warwickshire CV21 3XP

