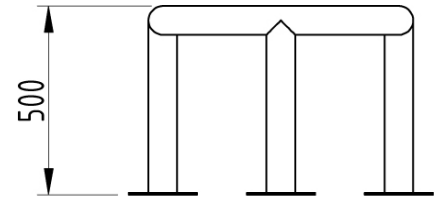




# ACP21 Column Protector

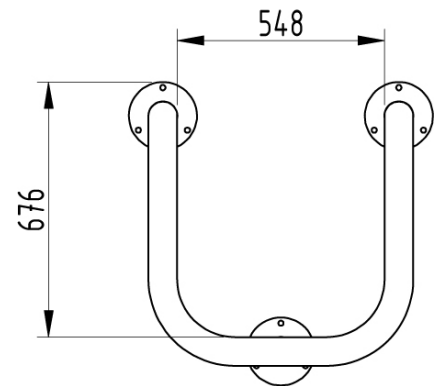
## 76mm Diameter

### Galvanised or Galvanised & Colour



Functional and robust in design, AUTOPA's range of column protectors are designed to protect corners, columns, and other vulnerable pillars from vehicle damage in a busy industrial environment. Our Column Protectors are manufactured from mild steel and galvanised to ensure their longevity. Suitable for both internal and external use.

Column Protectors are available in galvanised, galvanised & coated (RAL/BS numbers must be specified at time of order), or galvanised and coated yellow, complete with black reflective bands (2 x 100mm width bands).



<u>Part Number</u>	<u>Description</u>	<u>Weight (kg)</u>
138 177 721	Galvanised, Concrete In	18kg
138 177 722	Galvanised, Bolt Down	21kg
138 177 721C	Galvanised & Colour, Concrete In	18kg
138 177 722C	Galvanised & Colour, Bolt Down	21kg
138 177 721BY	Galvanised & Coated Yellow with Black Bands, Concrete In	18kg
138 177 722BY	Galvanised & Coated Yellow with Black Bands, Bolt Down	21kg

#### Product details

- 500mm x 700mm (Height x External Width)
- 76mm Diameter Tube
- 548mm (Internal Width)
- Concrete in 300mm (Below Ground)

#### Installation & use

Bolt down to a suitable concrete surface.  
 Telescopic, removable and concrete in are supplied with welded fixing spikes to ensure firm ground anchorage into concrete.  
 Telescopic, removable and concrete in require a suitable excavated hole for installing into concrete.  
 Products are guaranteed for 12 months (if installed and used correctly).



[www.autopa.co.uk](http://www.autopa.co.uk)  
 +44 (0)1788 550556

AUTOPA Limited  
 Cottage Leap, Rugby, Warwickshire CV21 3XP

