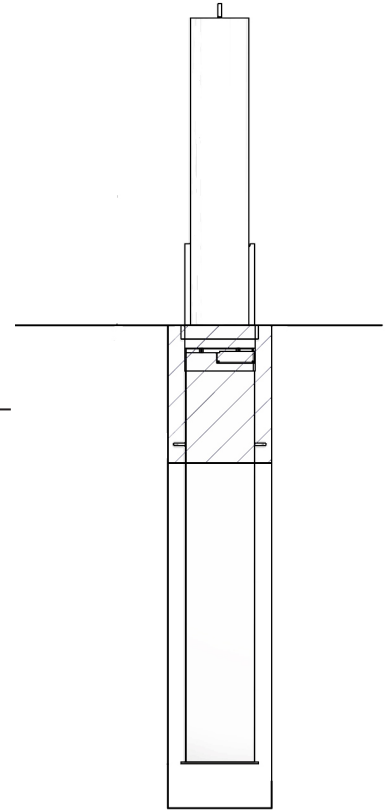
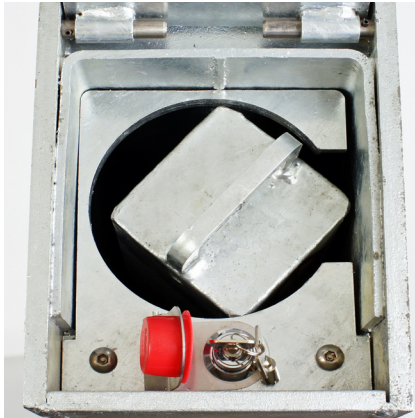




Square RetractaPost-GL 500

500mm

Galvanised or Galvanised & Colour



The Square RetractaPost-GL 500 offers a highly effective and robust way to protect premises and vehicles. The RetractaPost-GL is raised and lowered vertically. The post is 500mm above ground when raised and is fabricated from square mild steel tube which is then galvanised. When lowered the post is fully below ground and covered using the integral lid. The post is lockable in the raised position by rotating the post 45° and then pressing the high-security push button 7-pin security lock. The post is unlocked using the supplied key, rotated and then lowered.

The RetractaPost-GL is ideal for protecting vehicle forecourts, commercial premises, car parks and domestic driveways.

Tested and approved by Sold Secure.

This product has achieved Secure by Design status.

<u>Part Number</u>	<u>Description</u>	<u>Lift Weight (kg)</u>	<u>Weight (kg)</u>
138 130 391	60mm x 60mm Galvanised	5kg	17kg
138 130 396B	60mm x 60mm Galvanised & Black	5kg	17kg
138 130 396Y	60mm x 60mm Galvanised & Yellow	5kg	17kg
138 130 396	60mm x 60mm Galvanised & Colour	5kg	17kg
138 130 393	70mm x 70mm Galvanised	6kg	21kg
138 130 393B	70mm x 70mm Galvanised & Black	6kg	21kg
138 130 393Y	70mm x 70mm Galvanised & Yellow	6kg	21kg
138 130 393C	70mm x 70mm Galvanised & Colour	6kg	21kg
138 130 426	90mm x 90mm Galvanised	8kg	23kg
138 130 426B	90mm x 90mm Galvanised & Black	8kg	23kg
138 130 426Y	90mm x 90mm Galvanised & Yellow	8kg	23kg
138 130 426C	90mm x 90mm Galvanised & Colour	8kg	23kg



Secured by Design



Police Preferred Specification

Product details

- 500mm (above ground when raised)
- Socket - 815mm (below ground)
- 3mm wall thickness
- Red/white chevron tape available extra
- Other colours available on request

Installation & use

Bolt down to a suitable concrete surface.
 Telescopic, removable and concrete in are supplied with welded fixing spikes to ensure firm ground anchorage into concrete.
 Telescopic, removable and concrete in require a suitable excavated hole for installing into concrete.
 Products are guaranteed for 12 months (if installed and used correctly).



www.autopa.co.uk
 +44 (0)1788 550556

AUTOPA Limited
 Cottage Leap, Rugby, Warwickshire CV21 3XP

