



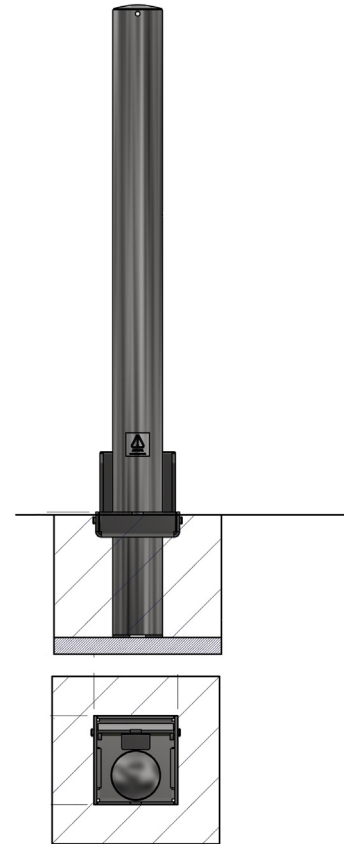
# Removable Bollard 900mm Above Ground 60mm - 193mm Diameter Black and White



The Removable Bollard Black/White offers an effective, simple and robust way to protect premises and vehicles. Removable Bollards are particularly suitable for locations where occasional access is required, the simple tab and padlock system provides an easy to operate solution for locking the bollard in place. The Removable Bollard Black/White is 900mm above ground and is available in a range of outside tube diameter sizes from 60mm through to 193mm. Padlock to secure is available at an extra cost.

The Removable Bollard 900 is ideal for protecting vehicle forecourts, commercial premises, car parks and domestic driveways and can be used in conjunction with fixed bollards as part of a security system for all types of premises.

The Removable Bollard Black/White has galvanised and powder coated black body, complete with a 200mm width, white reflective band.



<u>Part Number</u>	<u>Description</u>	<u>Lift Weight (kg)</u>	<u>Weight (kg)</u>
138 121 115BW	60mm Black & White	5kg	9kg
138 121 250BW	76mm Black & White	6kg	10kg
138 121 291BW	90mm Black & White	7kg	11kg
138 121 310BW	101mm Black & White	9kg	17kg
138 121 435BW	114mm Black & White	10kg	18kg
138 121 526BW	127mm Black & White	11kg	19kg
138 121 622BW	139mm Black & White	20kg	28kg
138 121 665BW	152mm Black & White	13kg	21kg
138 121 699BW	168mm Black & White	24kg	36kg
138 121 795BW	193mm Black & White	28kg	41kg

## Product details

- 900mm (Height above ground)
- 3mm wall thickness - 60mm-127mm and 152mm
- 5mm wall thickness - 139mm, 168mm, and 193mm
- Socket - 220mm (below ground) - 60mm - 90mm
- Socket - 300mm (below ground) - 101mm - 193mm
- Price excludes padlock to secure

## Installation & use

Bolt down to a suitable concrete surface.  
Telescopic, removable and concrete in are supplied with welded fixing spikes to ensure firm ground anchorage into concrete.  
Telescopic, removable and concrete in require a suitable excavated hole for installing into concrete.  
Products are guaranteed for 12 months (if installed and used correctly).



[www.autopa.co.uk](http://www.autopa.co.uk)  
+44 (0)1788 550556

AUTOPA Limited  
Cottage Leap, Rugby, Warwickshire CV21 3XP

