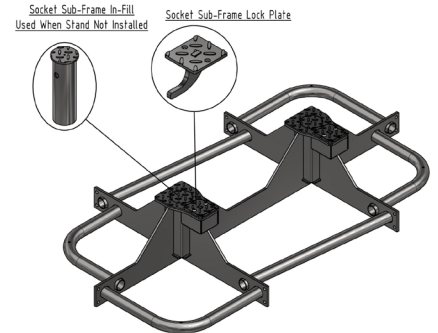
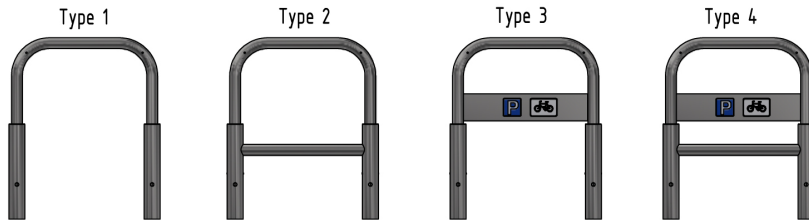




HVM 90 London Cycle Stand Galvanised Mild Steel

Cycle Stand Variants



The AUTOPA 'HVM 90 LONDON CYCLE STAND' is designed to provide cyclists with somewhere secure to lock their bicycles. Multiple stands can be joined together to provide a series of locations for a greater number of cycles. It has been designed to be installed where pedestrians and vehicles could share the same area and has the ability to be removed if necessary to allow access.

The cycle stand has been designed and tested to withstand vehicle impact and has achieved the following product rating:

IWA 14-1:2013 Barrier V/1500[M1]/48/90:26.4

(A minimum of two cycle stand / sub-frames are required in order to comply with testing)

Stands are galvanised as standard, colour coating is available as an optional extra (additional cost) and must be specified at the time of order. Stands are available in 4 styles (as shown). **Each system consists of 2 x cycle stands as 2 x sub-frames.**



Part Number	Description	Weight
138 259 005-T1	T1 Style - Galvanised	193kg
138 259 005-T2	T2 Style - Galvanised	199kg
138 259 005-T3	T3 Style - Galvanised	201kg
138 259 005-T4	T4 Style - Galvanised	207kg

Product details

- 60mm diameter tube
- 810mm length
- 750mm height (above ground)
- Locking points and reflective tape available extra
- Concrete in 300mm (below ground)

Installation & use

Concrete specification: RC 28 / 35

Products are guaranteed for 12 months (if installed and used correctly)



www.autopa.co.uk
+44 (0)1788 550556

AUTOPA Limited
Cottage Leap, Rugby, Warwickshire CV21 3XP

