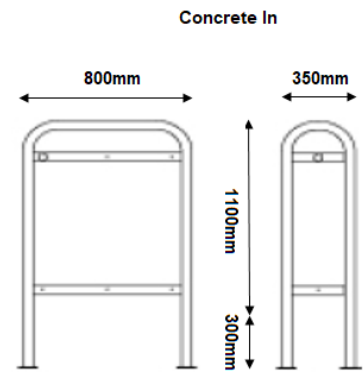
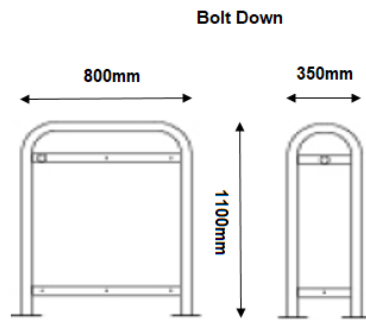




**AUTOPA**

# Door Guard Thin Galvanised



AUTOPA Door Stops are designed to protect walls from being damaged by swinging doors. An integrated rubber stopper acts as a shock absorber, preventing the door from hitting the steel frame. Ideal for commercial and industrial sites, they are suitable for internal and external use and can be installed either individually or in pairs.

Extremely durable, AUTOPA's Door Stops are manufactured from galvanised mild steel and available with flange plates for bolting down or extended legs for casting into concrete. Colour coated finishes are also available (please state BS/RAL number at time of order).

Central rubber stopper.



<u>Part Number</u>	<u>Description</u>	<u>Weight (kg)</u>
138 206 035	Door Guard - Concrete In	11kg
138 206 031	Door Guard - Bolt Down	14kg

## Product details

- 3mm wall thickness
- 1100mm x 350mm (height x width)
- Concrete in 300mm (below ground)
- Round flange plate – 133mm x 5mm
- 6 bolts required per door guard (bolt down)
- 50mm x 5mm tapping rail

## Installation & use

Bolt down to a suitable concrete surface.  
 Telescopic, removable and concrete in are supplied with welded fixing spikes to ensure firm ground anchorage into concrete.  
 Telescopic, removable and concrete in require a suitable excavated hole for installing into concrete.  
 Products are guaranteed for 12 months (if installed and used correctly).



[www.autopa.co.uk](http://www.autopa.co.uk)  
 +44 (0)1788 550556

AUTOPA Limited  
 Cottage Leap, Rugby, Warwickshire CV21 3XP

