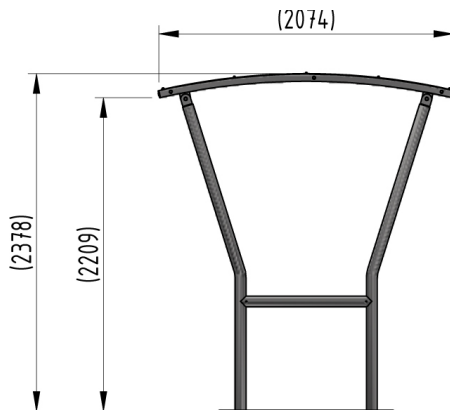




Stanton Shelter - Galvanised Galvanised Steel Frame Open Sided



The Stanton shelter is a free-standing, open sided shelter designed for on site assembly, constructed from galvanised mild steel. Complete with galvanised sheet curved roof.

Suitable as a cycle shelter. Width of 2m, with lengths from 2m-5m, extension bays can be added to achieve the desired shelter length.

Bolt down as standard.



<u>Part Number</u>	<u>Description</u>	<u>Weight (kg)</u>
138 204 690	Stanton Shelter 2m	186kg
138 204 692	Stanton Shelter 3m	221kg
138 204 694	Stanton Shelter 4m	256kg
138 204 696	Stanton Shelter 5m	290kg
138 204 691	Stanton Shelter 2m extension bay	
138 204 693	Stanton Shelter 3m extension bay	
138 204 695	Stanton Shelter 4m extension bay	
138 204 697	Stanton Shelter 5m extension bay	

Product details

- Height – 2209mm to underside, 2378mm overall
- Width – 2074mm overall
- Length – 2m, 3m, 4m, 5m and extensions
- Flange plate - 1224mm x 300mm x 8mm
- Each flange plate requires 8 bolts
- 1mm galvanised steel panels

Installation & use

This product is guaranteed for 12 months (if installed and used correctly)
Each shelter leg requires bolting down to a suitable concrete surface, using expanding anchor bolts
The area surrounding the installation must be flat and level with no nearby surface irregularities or gradient changes
On-site assembly requires construction skill



www.autopa.co.uk
+44 (0)1788 550556

AUTOPA Limited
Cottage Leap, Rugby, Warwickshire CV21 3XP





Stanton Shelter - Galvanised Galvanised Steel Frame Open Sided



2 x 2
138 204 690



2 x 3
138 204 692



2 x 4
138 204 694



2 x 5
138 204 696



www.autopa.co.uk
+44 (0)1788 550556

AUTOPA Limited
Cottage Leap, Rugby, Warwickshire CV21 3XP

