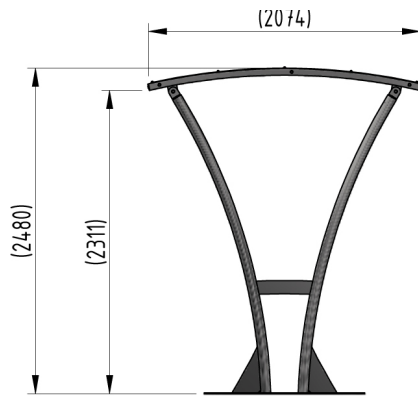




Tatham Shelter - Galvanised Galvanised Steel Frame Open Sided



The Tatham shelter is a free-standing, open sided shelter designed for on site assembly, constructed from galvanised mild steel. Complete with galvanised sheet curved roof.

Suitable as a cycle shelter. Width of 2m, with lengths from 2m-5m, extension bays can be added to achieve the desired shelter length.

Bolt down as standard.



<u>Part Number</u>	<u>Description</u>	<u>Weight (kg)</u>
138 204 710	Tatham Shelter 2m	194kg
138 204 712	Tatham Shelter 3m	229kg
138 204 714	Tatham Shelter 4m	263kg
138 204 716	Tatham Shelter 5m	298kg
138 204 711	Tatham Shelter 2m extension bay	
138 204 713	Tatham Shelter 3m extension bay	
138 204 715	Tatham Shelter 4m extension bay	
138 204 717	Tatham Shelter 5m extension bay	

Product details

- Height – 2311mm clearance, 2480mm overall
- Width – 2074mm overall
- Length – 2m, 3m, 4m, 5m and extensions
- Flange plate - 1224mm x 300mm x 8mm
- Each flange plate requires 8 bolts
- 1mm galvanised steel panels

Installation & use

This product is guaranteed for 12 months (if installed and used correctly)
Each shelter leg requires bolting down to a suitable concrete surface, using expanding anchor bolts
The area surrounding the installation must be flat and level with no nearby surface irregularities or gradient changes
On-site assembly requires construction skill



www.autopa.co.uk
+44 (0)1788 550556

AUTOPA Limited
Cottage Leap, Rugby, Warwickshire CV21 3XP





Tatham Shelter - Galvanised Galvanised Steel Frame Open Sided



2 x 2
138 204 710



2 x 3
138 204 712



2 x 4
138 204 714



2 x 5
138 204 716



www.autopa.co.uk
+44 (0)1788 550556

AUTOPA Limited
Cottage Leap, Rugby, Warwickshire CV21 3XP

