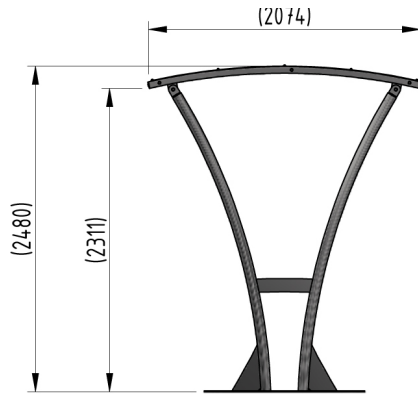




Tatham Shelter

Galvanised Steel Frame

Open - PETG Sheet



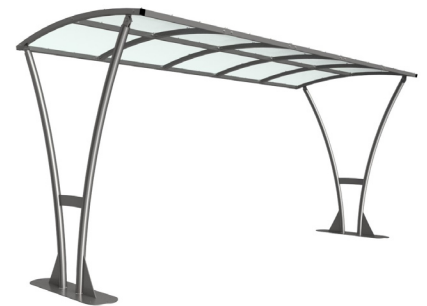
The Tatham shelter is a free-standing, open sided shelter designed for on site assembly, constructed from galvanised mild steel. Complete with a 4mm PETG clear sheet curved roof.

Width of 2m, with lengths from 2m-5m, extension bays can be added to achieve the desired shelter length.

Bolt down as standard.

Uses

- | | | |
|---------------------------------------------|--------------------------------------------|-----------------------------------------|
| <input checked="" type="checkbox"/> Cycle | <input type="checkbox"/> Waiting/Passenger | <input type="checkbox"/> Smoking/Vaping |
| <input type="checkbox"/> Trolley | <input type="checkbox"/> Walkway/Canopy | <input type="checkbox"/> Bin Store |
| <input type="checkbox"/> Sport & Spectators | <input type="checkbox"/> Pay & Display/E.V | <input type="checkbox"/> Youth |



Part Number	Description	Weight (kg)
138 204 700	Tatham Shelter 2m	187kg
138 204 702	Tatham Shelter 3m	218kg
138 204 704	Tatham Shelter 4m	249kg
138 204 706	Tatham Shelter 5m	280kg
138 204 701	Tatham Shelter 2m extension bay	
138 204 703	Tatham Shelter 3m extension bay	
138 204 705	Tatham Shelter 4m extension bay	
138 204 707	Tatham Shelter 5m extension bay	

Product details

- Height – 2311mm clearance, 2480mm overall
- Width – 2074mm overall
- Length – 2m, 3m, 4m, 5m and extensions
- Flange plate - 1224mm x 300mm x 8mm
- Each flange plate requires 8 bolts
- 4mm PETG clear sheet

Installation & use

This product is guaranteed for 12 months (if installed and used correctly)
 Each shelter leg requires bolting down to a suitable concrete surface, using expanding anchor bolts
 The area surrounding the installation must be flat and level with no nearby surface irregularities or gradient changes
 On-site assembly requires construction skill



www.autopa.co.uk
 +44 (0)1788 550556

AUTOPA Limited
 Cottage Leap, Rugby, Warwickshire CV21 3XP





Tatham Shelter Galvanised Steel Frame Open - PETG Sheet



2 x 2
138 204 700



2 x 3
138 204 702



2 x 4
138 204 704



2 x 5
138 204 706



www.autopa.co.uk
+44 (0)1788 550556

AUTOPA Limited
Cottage Leap, Rugby, Warwickshire CV21 3XP

