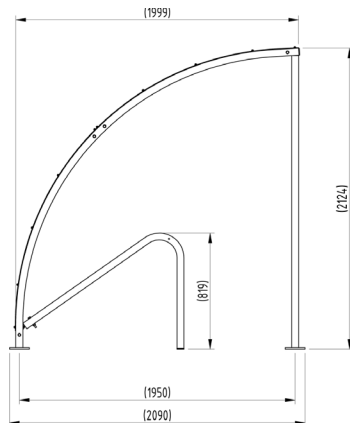




VS1 Shelter

Galvanised Steel Frame

No Sides - PETG Sheet



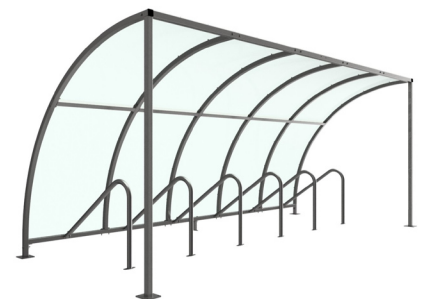
The VS1 Cycle Shelter is a light weight, free-standing, single sided cycle shelter with integrated cycle stands designed for on site assembly. Constructed from galvanised steel tube with a clear 4mm PETG roof, the VS1 is supplied with integral bicycle stands for cycle storage.

Width of 2m, with lengths from 1m-5m, extension bays can be added to achieve the desired shelter length.

Bolt down as standard.

Uses

- | | | |
|---|--|---|
| <input checked="" type="checkbox"/> Cycle | <input type="checkbox"/> Waiting/Passenger | <input type="checkbox"/> Smoking/Vaping |
| <input type="checkbox"/> Trolley | <input type="checkbox"/> Walkway/Canopy | <input type="checkbox"/> Bin Store |
| <input type="checkbox"/> Sport & Spectators | <input type="checkbox"/> Pay & Display/E.V | <input type="checkbox"/> Youth |



Part Number	Description	Weight (kg)
138 200 161	VS1 Shelter 1m	82kg
138 200 164	VS1 Shelter 2m	131kg
138 200 160	VS1 Shelter 3m	188kg
138 200 162	VS1 Shelter 4m	237kg
138 200 163	VS1 Shelter 5m	287kg
138 200 166	VS1 Shelter 1m extension bay	
138 200 169	VS1 Shelter 2m extension bay	
138 200 165	VS1 Shelter 3m extension bay	
138 200 167	VS1 Shelter 4m extension bay	
138 200 168	VS1 Shelter 5m extension bay	

Product details

- Height – 2124mm front
- Width – 2090mm overall
- Length – 1m, 2m, 3m, 4m, 5m and extensions
- Square flange plate - 140mm x 140mm x 10mm
- Each flange plate requires 4 bolts
- 4mm PETG clear sheet

Installation & use

This product is guaranteed for 12 months (if installed and used correctly)
 Each shelter leg requires bolting down to a suitable concrete surface, using expanding anchor bolts
 The area surrounding the installation must be flat and level with no nearby surface irregularities or gradient changes
 On-site assembly requires construction skill



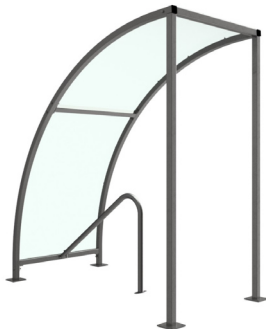
www.autopa.co.uk
 +44 (0)1788 550556

AUTOPA Limited
 Cottage Leap, Rugby, Warwickshire CV21 3XP





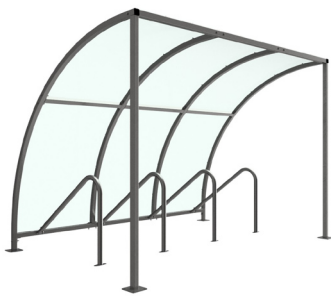
VS1 Shelter Galvanised Steel Frame No Sides - PETG Sheet



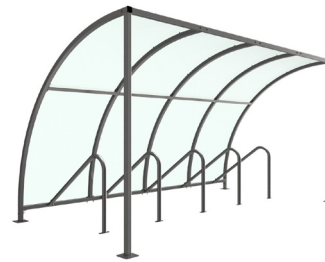
2 x 1
138 200 161



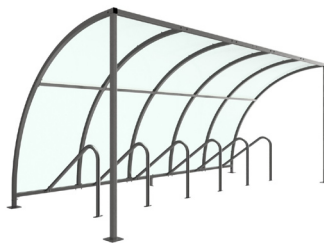
2 x 2
138 200 164



2 x 3
138 200 160



2 x 4
138 200 162



2 x 5
138 200 163



www.autopa.co.uk
+44 (0)1788 550556

AUTOPA Limited
Cottage Leap, Rugby, Warwickshire CV21 3XP

