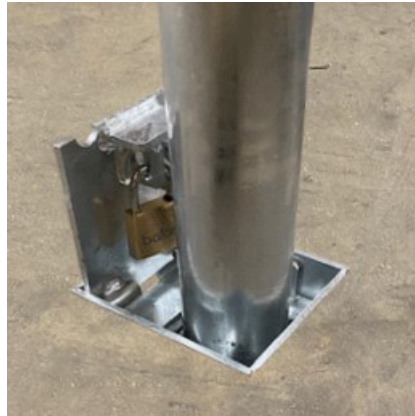




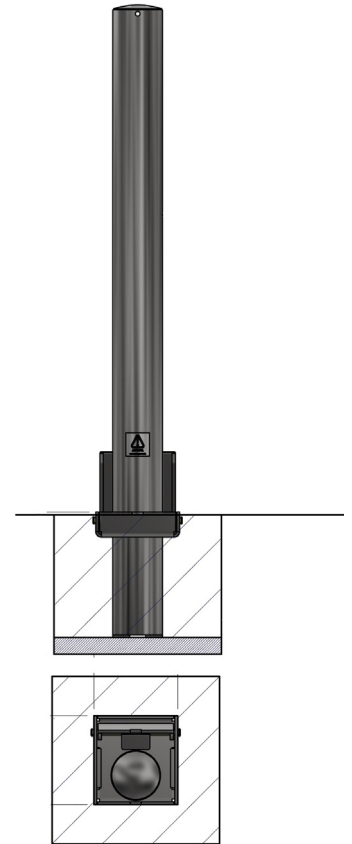
AUTOPA

Removable Bollard 750mm Above Ground 60mm - 193mm Diameter Galvanised



The Removable Bollard offers an effective, simple and robust way to protect premises and vehicles. Removable Bollards are particularly suitable for locations where occasional access is required, the simple tab and padlock system provides an easy to operate solution for locking the bollard in place. The Removable Bollard is 750mm above ground and is available in a range of outside tube diameter sizes from 60mm through to 193mm. Padlock to secure is available at an extra cost.

The Removable Bollard 750 is ideal for protecting vehicle forecourts, commercial premises, car parks and domestic driveways and can be used in conjunction with fixed bollards as part of a security system for all types of premises.



<u>Part Number</u>	<u>Description</u>	<u>Lift Weight (kg)</u>	<u>Weight (kg)</u>
138 121 105	60mm Galvanised	4kg	8kg
138 121 255	76mm Galvanised	5kg	9kg
138 121 276	90mm Galvanised	6kg	10kg
138 121 329	101mm Galvanised	7kg	19kg
138 121 422	114mm Galvanised	8kg	20kg
138 121 552	127mm Galvanised	9kg	17kg
138 121 627	139mm Galvanised	17kg	25kg
138 121 671	152mm Galvanised	11kg	19kg
138 121 722	168mm Galvanised	20kg	33kg
138 121 782	193mm Galvanised	23kg	36kg

Product details

- 750mm (height above ground)
- 3mm wall thickness - 60mm-127mm and 152mm
- 5mm wall thickness - 139mm, 168mm, and 193mm
- Socket - 220mm (below ground) - 60mm - 90mm diameter
- Socket - 300mm (below ground) - 101mm - 193mm diameter
- Price excludes padlock to secure

Installation & use

Bolt down to a suitable concrete surface.

Telescopic, removable and concrete in are supplied with welded fixing spikes to ensure firm ground anchorage into concrete.

Telescopic, removable and concrete in require a suitable excavated hole for installing into concrete.

Products are guaranteed for 12 months (if installed and used correctly).



www.autopa.co.uk
+44 (0)1788 550556

AUTOPA Limited
Cottage Leap, Rugby, Warwickshire CV21 3XP

