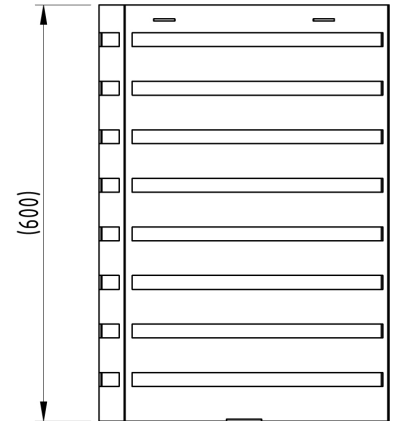




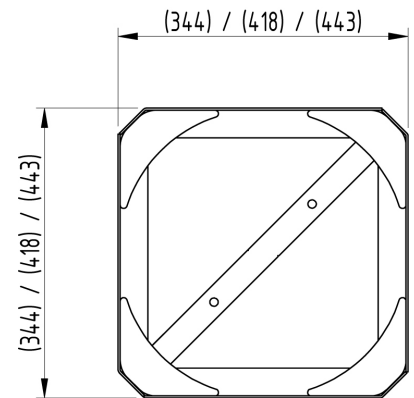
Carlton Litter Bin

Galvanised, Galvanised & Colour or Stainless



The AUTOPA Carlton Litter Bin is ideal for use in high traffic public areas such as high streets and parks. With a simple and stylish design, this bin is designed to complement the Carlton and Drayton ranges of street furniture. Supplied with a galvanised steel liner as standard, the base of the bin can be bolted onto the floor for added security.

The Carlton Litter Bin is supplied in galvanised mild steel, or stainless steel. Galvanised and powder coated is an optional extra (RAL number must be stated at time of order).



| Part Number | Description | Weight (kg) |
|-------------|-------------------------------|-------------|
| 138 118 081 | 45L Galvanised | 26kg |
| 138 118 082 | 45L Galvanised & Colour | 26kg |
| 138 118 083 | 45L Stainless Steel Grade 304 | 26kg |
| 138 118 084 | 75L Galvanised | 32kg |
| 138 118 085 | 75L Galvanised & Colour | 32kg |
| 138 118 086 | 75L Stainless Steel Grade 304 | 32kg |
| 138 118 087 | 90L Galvanised | 34kg |
| 138 118 088 | 90L Galvanised & Colour | 34kg |
| 138 118 089 | 90L Stainless Steel Grade 304 | 34kg |

Product details

- 600mm height
- 45L, 75L or 90L Capacity
- Price excludes fixing down bolts
- Complete with a galvanised steel liner

Installation & use

Bases are pre-drilled ready for bolting down onto a suitable concrete foundation by means of two 12mm anchor bolts. This product is guaranteed for 12 months (if installed and used correctly)



www.autopa.co.uk
+44 (0)1788 550556

AUTOPA Limited
Cottage Leap, Rugby, Warwickshire CV21 3XP

