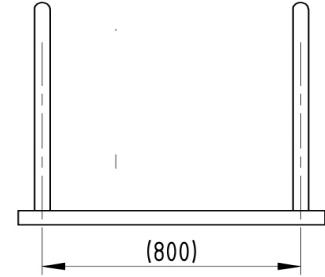
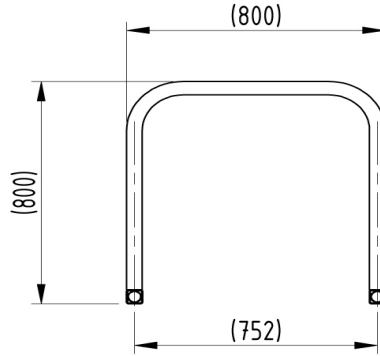




Sheffield Cycle Toastrack Cycle Stands Galvanised or Galvanised & Colour



The VELOPA Sheffield Cycle Toastrack is a floor fixed cycle rack based upon the Sheffield Cycle Stand. The Sheffield Cycle Toastrack consists of Sheffield Cycle Stands welded at 800mm centres to floor fixed box section rails. The benefits of a Cycle Toastrack over individual stands are reduced installation costs and pre-determined gaps between stands, each stand is suitable for parking two bicycles. The Sheffield Toastrack is ideal where cycle parking in large numbers is required.

The practical and durable nature of the VELOPA Sheffield Cycle Toastrack ensures that the rack is suitable for all environments where high density of cycle parking is required. The Sheffield Toastrack is shown in galvanised finish; Galvanised & Coated finish and Stainless Steel are also available.



<u>Part Number</u>	<u>Description</u>
138 200 302	2 Stand Sheffield Toastrack Galvanised
138 200 312	2 Stand Sheffield Toastrack Galvanised & Colour
138 200 303	3 Stand Sheffield Toastrack Galvanised
138 200 313	3 Stand Sheffield Toastrack Galvanised & Colour
138 200 304	4 Stand Sheffield Toastrack Galvanised
138 200 314	4 Stand Sheffield Toastrack Galvanised & Colour
138 200 305	5 Stand Sheffield Toastrack Galvanised
138 200 315	5 Stand Sheffield Toastrack Galvanised & Colour

(This represents only a selection of the available options; please ask for further details)

Product details

- Overall length dependant on numbers of stands
- 750mm (Height above ground)
- 50mm x 50mm Box section
- 800mm (centres between stands)
- 48mm Diameter tube

Installation & use

Fix using M12 bolts to a suitable concrete surface.
First stand should be no closer than 400mm from nearest obstruction.
This product is guaranteed for 12 months (if installed and used correctly).



www.autopa.co.uk
+44 (0)1788 550556

AUTOPA Limited
Cottage Leap, Rugby, Warwickshire CV21 3XP

